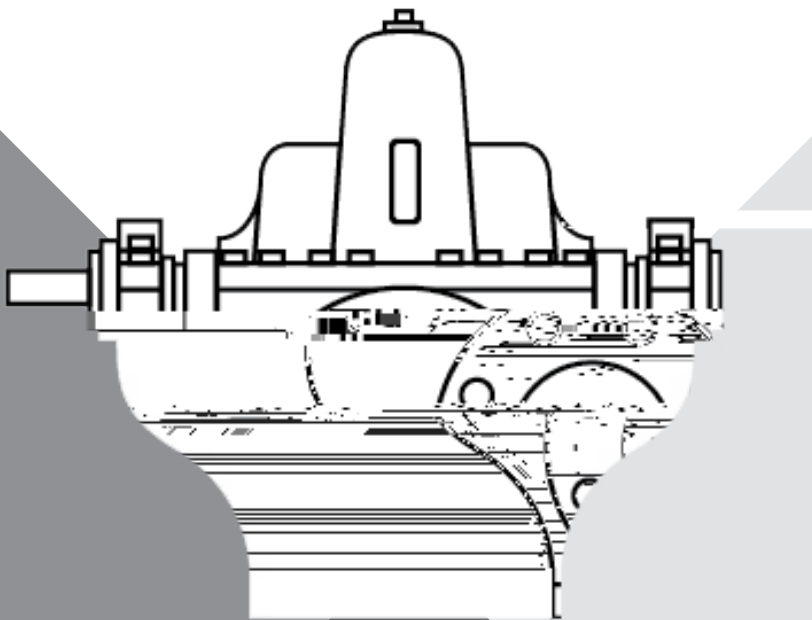




SPLIT CASE FIRE PUMP



REPAIR PARTS INDEX

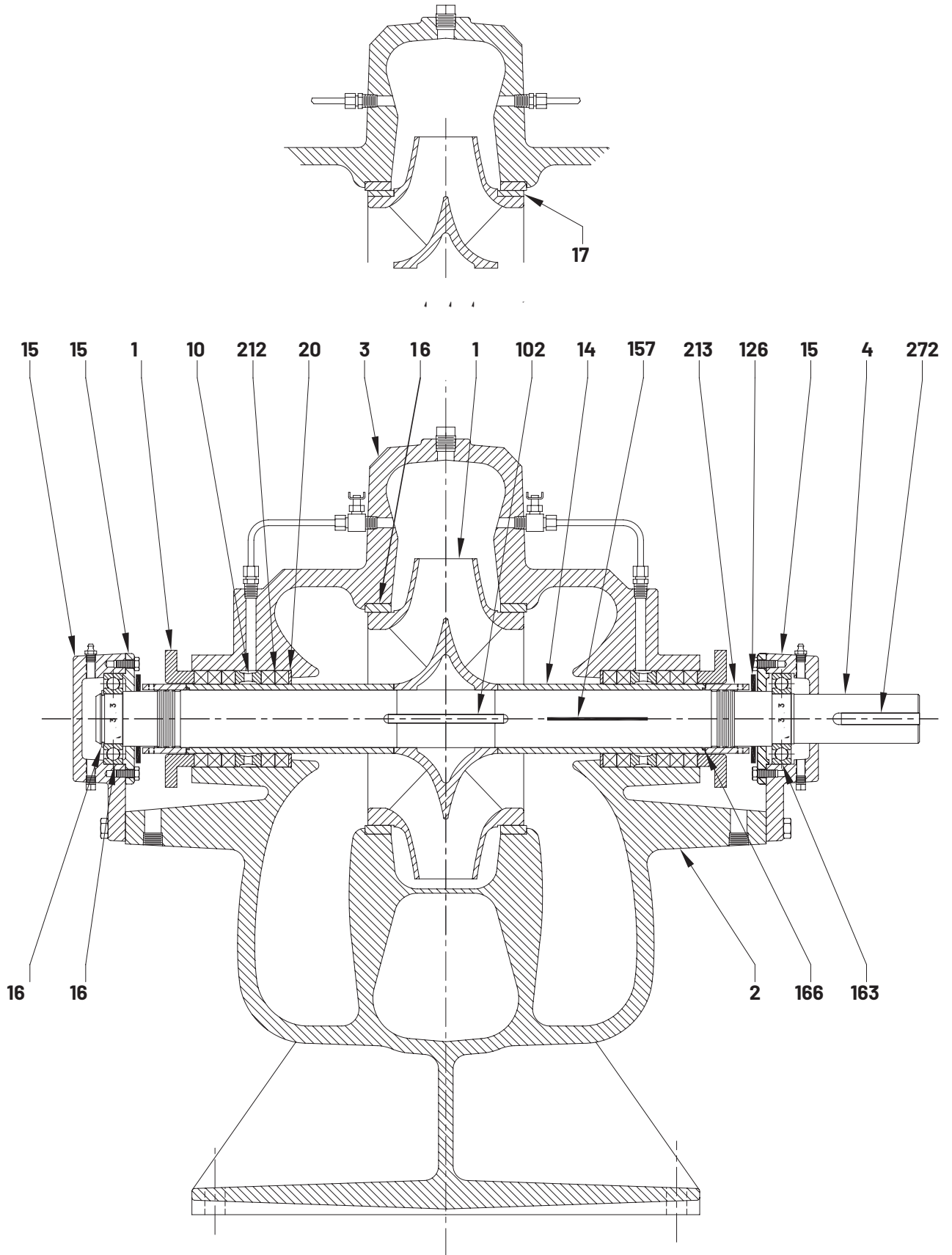
pentair.com/aurora

NOTE! To the installer: Please make sure you provide this manual to the owner of the equipment or to the responsible party who maintains the system.

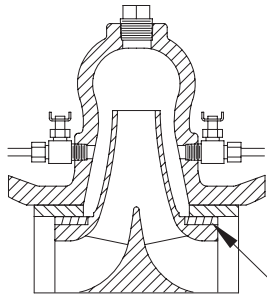
TABLE OF CONTENTS

DESCRIPTION	PAGE NO.
CROSS SECTIONS	
491 SPLIT CASE PUMPS	3
492 SPLIT CASE PUMPS WITH INTEGRAL BEARING ARMS	4
492 SPLIT CASE PUMPS WITH BOLT-ON BEARING ARMS	5
495 TWO-STAGE SPLIT CASE PUMPS	6
491 REPAIR PARTS LIST	7-12
492 REPAIR PARTS LIST	13-18
495 REPAIR PARTS LIST	19-20
REPAIR KITS, OVERHAUL KITS & ROTATING ELEMENTS	21
STANDARD LIMITED WARRANTY	22

491 SPLIT CASE PUMPS

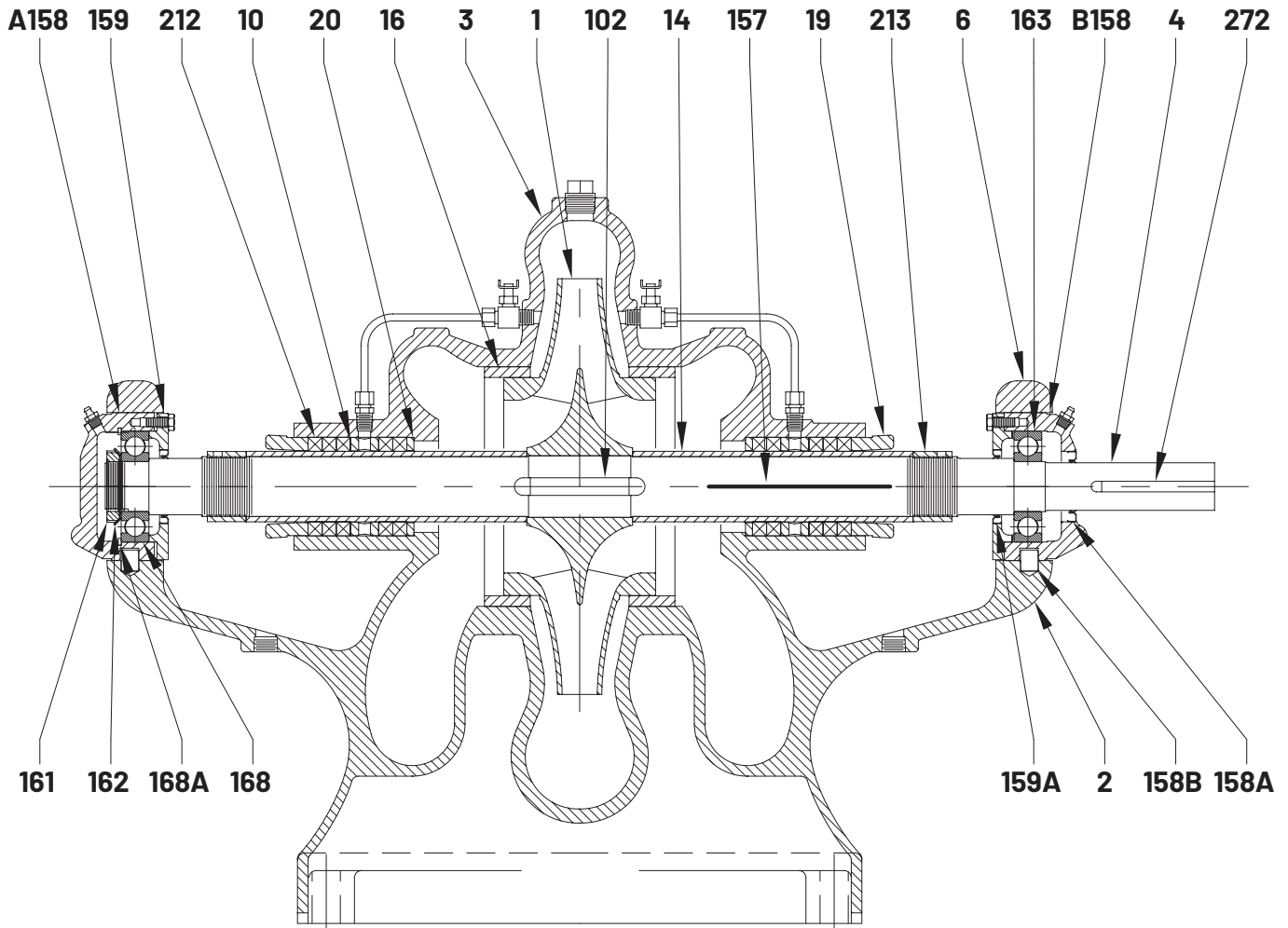


492 SPLIT CASE PUMPS WITH INTEGRAL BEARING ARMS

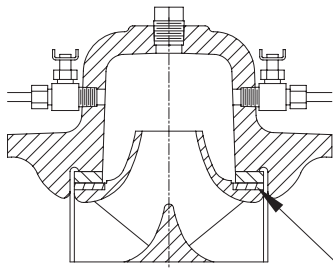


17

OPTIONAL IMPELLER WEAR RING

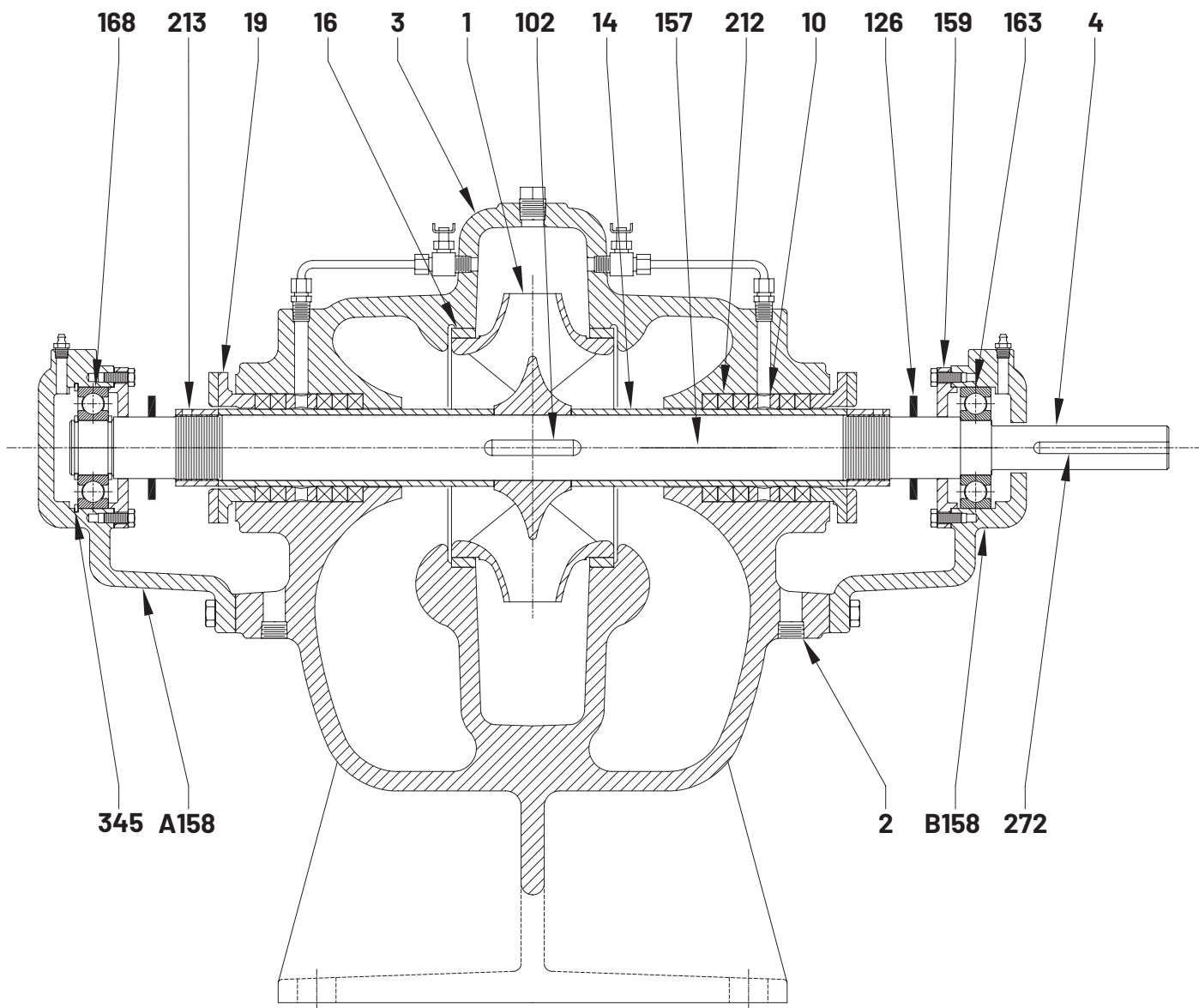


492 SPLIT CASE PUMPS WITH BOLT-ON BEARING ARMS

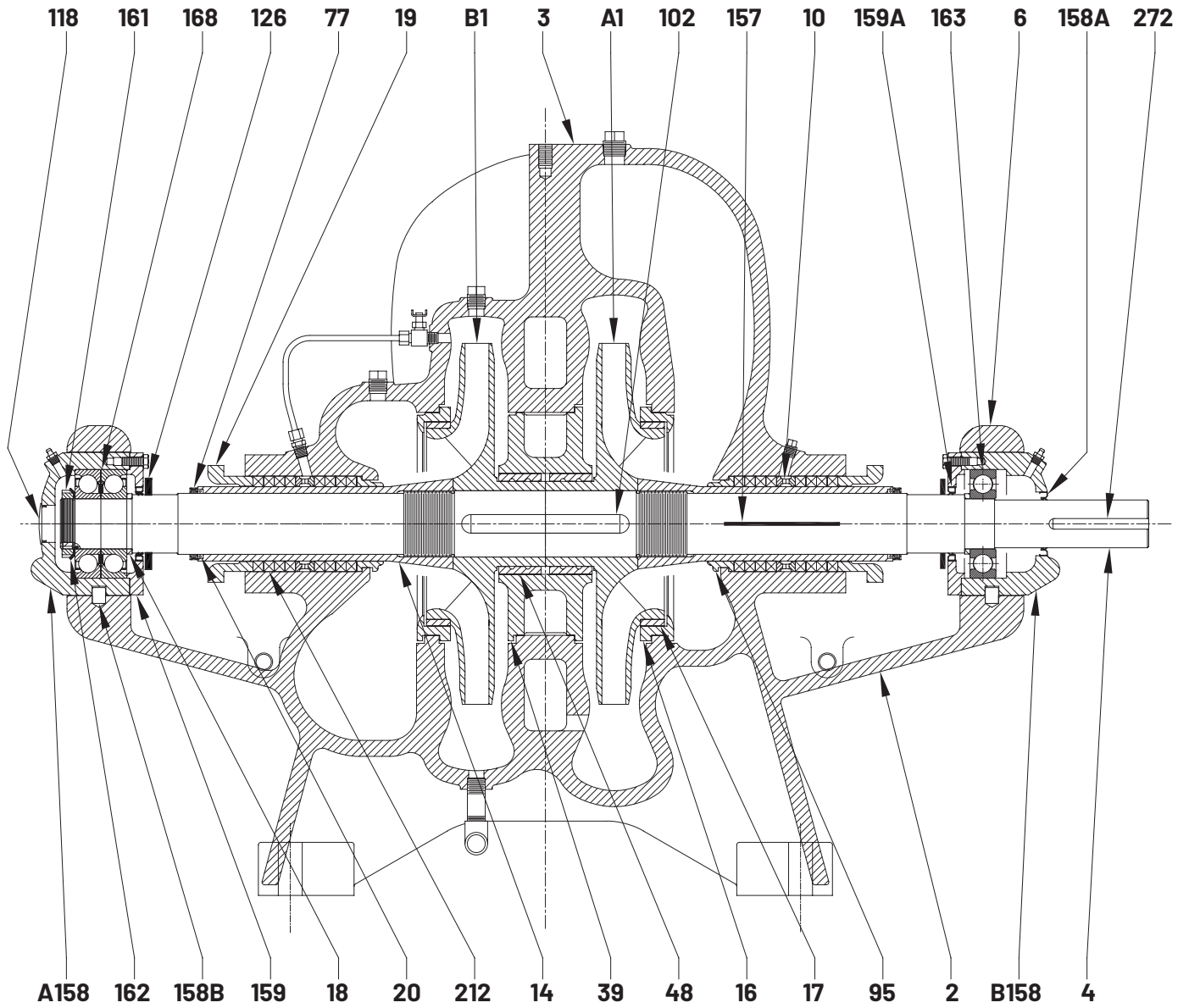


17

OPTIONAL IMPELLER WEAR RING



495 TWO-STAGE SPLIT CASE PUMPS



491 REPAIR PARTS LIST

PC. NO.	PART DESCRIPTION	3-491-9A		3-491-9C		4-491-8A	
		QTY	PART NUMBER	QTY	PART NUMBER	QTY	PART NUMBER
1	Impeller	1	444-7002-225	1	444-7001-225	1	444-7006-225
	Impeller Assembly (With #17 Rings)	1	443-7168-644	1	443-7108-644	1	443-7160-644
2	Part of No. 3	—	—	—	—	—	—
3	Casing Assembly	125# / 125#	189-0001-010	1	189-0001-010	1	189-0009-010
		125# / 250#	189-0002-010	1	189-0002-010	—	—
		250# / 250#	189-0044-010	1	189-0044-010	—	—
4	Shaft	1	727-7000-072	1	727-7000-072	1	727-7000-072
10	Lantern Rings	2	676-7012-509	2	676-7012-509	2	676-7012-509
14	Shaft Sleeves	2	756-7000-212	2	756-7000-212	2	756-7000-212
16	Case Wear Rings	2	676-7000-208	2	676-7000-208	2	676-7009-208
17	Impeller Wear Rings (Optional)	2	676-7060-208	2	676-7060-208	2	676-7151-208
19	Packing Glands	2	372-7000-104	2	372-7000-104	2	372-7004-104
20	S	2	908-7000-208	2	908-7000-208	2	908-7000-208
102	Impeller Key	1	472-7000-087	1	472-7000-087	1	472-7000-087
126	Water Slings	2	764-7000-999	2	764-7000-999	2	764-7000-999
157	Casing Gasket	1	364-7000-463	1	364-7000-463	1	64-7028-463
A158	Thrust Bearing Cartridge	1	176-7004-010	1	176-7004-010	1	176-7004-010
B158	Radial Bearing Cartridge	1	176-7005-010	1	176-7005-010	1	176-7005-010
159	Bearing Housing Covers	2	164-7004-010	2	164-7004-010	2	164-7004-010
163	Radial Bearing	1	068-1907-647	1	068-1907-647	1	068-1907-647
166	Shaft Sleeve O-Rings	2	364-0365-457	2	364-0365-457	2	364-0365-457
168	Thrust Bearing	1	068-1907-647	1	068-1907-647	1	068-1907-647
168A	Retaining Ring	1	676-7001-088	1	676-7001-088	1	676-7001-088
212	Packing	10	564-7000-802	10	564-7000-802	10	564-7000-802
213	Sleeve Nuts	2	544-7002-208	2	544-7002-208	2	544-7002-208
272	Coupling Key	1	472-0256-087	1	472-0256-087	1	472-0256-087

MISCELLANEOUS PARTS NOT LABELED

CAPSCREWS FOR:							
	Casing (Parting Flange)	12	168-0566-082	12	168-0566-082	12	168-0564-082
	Ç S	4	168-0576-082	4	168-0576-082	4	168-0576-082
	Bearing Housing Covers	6	168-0308-082	6	168-0308-082	6	168-0308-082
	Bearing Cartridges	6	168-0492-082	6	168-0492-082	6	168-0492-082
PINS FOR:							
	Casing (Parting Flange)	2	592-0376-087	2	592-0376-087	2	592-0376-087
	Case Wear Rings	2	592-0028-104	2	592-0028-104	2	592-0028-104
	Bearing Cartridges	4	592-0111-087	4	592-0111-087	4	592-0111-087
PIPE PLUGS FOR:							
	Suction and Discharge (Gauges)	2	600-0002-087	2	600-0002-087	2	600-0002-087
	Bearing Arm Drains	2	600-0004-028	2	600-0004-028	2	600-0004-028
	Top of Casing Volute	1	600-0004-028	1	600-0004-028	1	600-0004-028
	Side of Discharge Neck	1	600-0005-028	1	600-0005-028	1	600-0005-028
	Bearing Cartridges	2	600-0001-087	2	600-0001-087	2	600-0001-087
GLAND FASTENERS:							
	Studs	4	808-7001-360	4	808-7001-360	4	808-7001-360
	Washers	4	908-0114-080	4	908-0114-080	4	908-0114-080
	Nuts	4	544-0113-190	4	544-0113-190	4	544-0113-190
	Setscrews for Sleeve Nut	4	724-0079-113	4	724-0079-113	4	724-0079-113
	Grease Fittings	2	508-0001-651	2	508-0001-651	2	508-0001-651
FLUSH LINES:							
	Compression Elbows	4	868-3660-190	4	868-3660-190	4	868-3660-190
	Tubing	24	872-0124-175	24	872-0124-175	24	872-0124-175
	Ball Valves	2	896-4533-644	2	896-4533-644	2	896-4533-644

491 REPAIR PARTS LIST

PC. NO.	PART DESCRIPTION	4-491-11A		4-491-11C		4-491-14C	
		QTY	PART NUMBER	QTY	PART NUMBER	QTY	PART NUMBER
1	Impeller	1	444-7023-225	1	444-7005-208	1	444-7004-225
	Impeller Assembly (With #17 Rings)	1	443-7122-644	—	—	1	443-7054-644
2	Part of No. 3	—	—	—	—	—	—
3	Casing Assembly	125# / 125#	189-0007-010	1	189-0007-010	1	189-0005-010
		125# / 250#	189-0008-010	1	189-0008-010	—	189-0006-010
		250# / 250#	189-0047-010	1	189-0047-010	—	189-0043-010
4	Shaft	1	727-7005-072	1	727-7005-072	1	727-7003-072
10	Lantern Rings	2	676-7010-509	2	676-7010-509	2	676-7010-509
14	Shaft Sleeves	2	756-7004-212	2	756-7004-212	2	756-7003-212
16	Case Wear Rings	2	676-7009-208	2	676-7009-208	2	676-7009-208
17	Impeller Wear Rings (Optional)	2	676-7053-208	—	—	2	676-7053-208
19	Packing Glands	2	372-7003-104	2	372-7003-104	2	372-7003-104
20	Ş Ç é	2	908-7003-208	2	908-7003-208	2	908-7003-208
102	Impeller Key	1	472-7000-087	1	472-7000-087	1	472-7000-087
126	Water Slingers	2	764-7001-999	2	764-7001-999	2	764-7001-999
157	Casing Gasket	1	364-7023-463	1	364-7023-463	1	364-7003-463
A158	Thrust Bearing Cartridge	1	176-7006-010	1	176-7006-010	1	176-7006-010
B158	Radial Bearing Cartridge	1	176-7007-010	1	176-7007-010	1	176-7007-010
159	Bearing Housing Covers	2	164-7005-010	2	164-7005-010	2	164-7005-010
163	Radial Bearing	1	068-1909-647	1	068-1909-647	1	068-1909-647
166	Shaft Sleeve O-Rings	2	364-0374-457	2	364-0374-457	2	364-0372-457
168	Thrust Bearing	1	068-1909-647	1	068-1909-647	1	068-1909-647
168A	Retaining Ring	1	676-7011-088	1	676-7011-088	1	676-7011-088
212	Packing	10	564-7001-802	10	564-7001-802	10	564-0174-802
213	Sleeve Nuts	2	544-7001-208	2	544-7001-208	2	544-7001-208
272	Coupling Key	1	472-7003-087	1	472-7003-087	1	472-7003-087

MISCELLANEOUS PARTS NOT LABELED

CAPSCREWS FOR:							
	Casing (Parting Flange)	14	168-0640-082	14	168-0640-082	17	168-0638-082
	Ş Ç é	4	168-0650-082	4	168-0650-082	4	168-0648-082
	Bearing Housing Covers	6	168-0308-082	6	168-0308-082	6	168-0308-082
	Bearing Cartridges	6	168-0492-082	6	168-0492-082	6	168-0492-082
PINS FOR:							
	Casing (Parting Flange)	2	592-7000-087	2	592-7000-087	2	592-7000-087
	Case Wear Rings	2	592-0028-104	2	592-0028-104	2	592-0028-104
	Bearing Cartridges	4	592-0111-087	4	592-0111-087	4	592-0111-087
PIPE PLUGS FOR:							
	Suction and Discharge (Gauges)	2	600-0002-087	2	600-0002-087	2	600-0002-087
	Bearing Arm Drains	2	600-0004-028	2	600-0004-028	2	600-0004-028
	Top of Casing Volute	1	600-0004-028	1	600-0004-028	1	600-0004-028
	Side of Discharge Neck	1	600-0005-028	1	600-0005-028	1	600-0005-028
	Bearing Cartridges	2	600-0001-087	2	600-0001-087	2	600-0001-087
GLAND FASTENERS:							
	Studs	4	808-7002-360	4	808-7002-360	4	808-7002-360
	Washers	4	908-0114-080	4	908-0114-080	4	908-0114-080
	Nuts	4	544-0113-190	4	544-0113-190	4	544-0113-190
	Setscrews for Sleeve Nut	4	724-0079-113	4	724-0079-113	4	724-0079-113
	Grease Fittings	2	508-0001-651	2	508-0001-651	2	508-0001-651
FLUSH LINES:							
	Compression Elbows	4	868-3660-190	4	868-3660-190	4	868-3660-190
	Tubing	24	872-0124-175	24	872-0124-175	24	872-0124-175
	Ball Valves	2	896-4533-644	2	896-4533-644	2	896-4533-644

491 REPAIR PARTS LIST

PC. NO.	PART DESCRIPTION	5-491-14A		5-491-18A		6-491-12A		6-491-12B	
		QTY	PART NUMBER	QTY	PART NUMBER	QTY	PART NUMBER	QTY	PART NUMBER
1	Impeller	1	444-7007-225	1	444-7008-225	1	444-7009-208	1	444-3413-227
	Impeller Assembly (With #17 Rings)	1	443-7055-644	1	443-7041-644	—	—	—	—
2	Part of No. 3	—	—	—	—	—	—	—	—
3	Casing Assembly	125# / 125#	189-0010-010	189-0012-010	189-0042-010	189-0042-010	189-0014-010	189-0014-010	189-0014-010
		125# / 250#	189-0011-010	189-0013-010	189-0013-010	189-0013-010	189-0013-010	189-0013-010	189-0013-010
		250# / 250#	189-0046-010	189-0048-010	189-0151-010	189-0151-010	189-0151-010	189-0151-010	189-0151-010
4	Shaft	1	727-7003-072	1	727-7006-072	1	727-7005-072	1	727-7005-072
10	Lantern Rings	2	676-7010-509	2	676-7015-509	2	676-7010-509	2	676-7010-509
14	Shaft Sleeves	2	756-7003-212	2	756-7005-212	2	756-7004-212	2	756-7004-212
16	Case Wear Rings	2	676-7014-208	2	676-7014-208	2	676-7009-208	2	676-7009-208
17	Impeller Wear Rings (Optional)	2	676-7041-208	2	676-7070-208	—	—	—	—
19	Packing Glands	2	372-7003-104	2	372-7005-104	2	372-7003-104	2	372-7003-104
20	Shaft Seal	2	908-7003-208	2	908-7004-208	2	908-7003-208	2	908-7003-208
102	Impeller Key	1	472-7000-087	1	472-7004-087	1	472-7000-087	1	472-7000-087
126	Water Slingers	2	764-7001-999	2	764-7002-999	2	764-7001-999	2	764-7001-999
157	Casing Gasket	1	364-7029-463	1	364-7005-463	1	364-7007-463	1	364-7007-463
A158	Thrust Bearing Cartridge	1	176-7006-010	1	176-7010-010	1	176-7006-010	1	176-7006-010
B158	Radial Bearing Cartridge	1	176-7007-010	1	176-7011-010	1	176-7007-010	1	176-7007-010
159	Bearing Housing Covers	2	164-7005-010	2	164-7007-010	2	164-7005-010	2	164-7005-010
163	Radial Bearing	1	068-1909-647	1	068-1912-647	1	068-1909-647	2	068-1909-647
166	Shaft Sleeve O-Rings	2	364-0372-457	2	364-0381-457	2	364-0374-457	2	364-0373-457
168	Thrust Bearing	1	068-1909-647	1	068-1912-647	1	068-1909-647	2	068-1909-647
168A	Retaining Ring	1	676-7011-088	1	676-0289-088	1	676-7011-088	1	676-7011-088
212	Packing	10	564-0174-802	10	564-7002-802	12	564-7001-802	12	564-7001-802
213	Sleeve Nuts	2	544-7001-208	2	544-7004-208	2	544-7001-208	2	544-7001-208
272	Coupling Key	1	472-7003-087	1	472-0362-087	1	472-7003-087	1	472-7003-087

MISCELLANEOUS PARTS NOT LABELED

CAPSCREWS FOR:

Casing (Parting Flange)	19	168-0638-082	17	168-0680-082	14	168-0640-082	14	168-0640-082
Shaft Seal	4	168-0650-082	4	168-0688-082	4	168-0650-082	4	168-0650-082
Bearing Housing Covers	6	168-0308-082	6	168-0308-082	6	168-0308-082	6	168-0308-082
Bearing Cartridges	6	168-0492-082	6	168-0492-082	6	168-0492-082	6	168-0492-082

PINS FOR:

Casing (Parting Flange)	2	592-7000-087	2	592-7000-087	2	592-7000-087	2	592-7000-087
Case Wear Rings	2	592-0028-104	2	592-0028-104	2	592-7009-087	2	592-7009-087
Bearing Cartridges	4	592-0111-087	4	592-0111-087	4	592-0111-087	4	592-0111-087

PIPE PLUGS FOR:

Suction and Discharge (Gauges)	2	600-0002-087	2	600-0002-087	2	600-0002-087	2	600-0002-087
Bearing Arm Drains	2	600-0004-028	2	600-0004-028	2	600-0004-028	2	600-0004-028
Top of Casing Volute	1	600-0004-028	1	600-0004-028	1	600-0004-028	1	600-0004-028
Side of Discharge Neck	1	600-0006-028	1	600-0006-028	1	600-0006-028	1	600-0006-028
Bearing Cartridges	2	600-0001-087	2	600-0001-087	2	600-0001-087	2	600-0001-087

GLAND FASTENERS:

Studs	4	808-7002-360	4	808-7002-360	4	808-7002-360	4	808-7002-360
Washers	4	908-0114-080	4	908-0114-080	4	908-0114-080	4	908-0114-080
Nuts	4	544-0113-190	4	544-0113-190	4	544-0113-190	4	544-0113-190
Setscrews for Sleeve Nut	4	724-0079-113	4	724-0079-113	4	724-0079-113	4	724-0079-113
Grease Fittings	2	508-0001-651	2	508-0001-651	2	508-0001-651	2	508-0001-651

FLUSH LINES:

Compression Elbows	4	868-3660-190	4	868-3660-190	4	868-3660-190	4	868-3660-190
Tubing	24	872-0124-175	24	872-0124-175	24	872-0124-175	24	872-0124-175
Ball Valves	2	896-4533-644	2	896-4533-644	2	896-4533-644	2	896-4533-644

491 REPAIR PARTS LIST

PC. NO.	PART DESCRIPTION	6-491-14A		6-491-14C		6-491-18C	
		QTY	PART NUMBER	QTY	PART NUMBER	QTY	PART NUMBER
1	Impeller	1	444-7015-225	1	444-7016-225	1	444-7014-225
	Impeller Assembly (With #17 Rings)	1	443-7083-644	1	443-7133-644	1	443-7114-644
2	Part of No. 3	—	—	—	—	—	—
3	Casing Assembly	125# / 125#	189-0021-010	1	189-0021-010	1	189-0019-010
		125# / 250#	189-0022-010	1	189-0022-010	1	189-0020-010
		250# / 250#	189-0052-010	1	189-0052-010	1	189-0050-010
4	Shaft	1	727-7008-072	1	727-7008-072	1	727-7008-072
10	Lantern Rings	2	676-7015-509	2	676-7015-509	2	676-7015-509
14	Shaft Sleeves	2	756-7007-212	2	756-7007-212	2	756-7007-212
16	Case Wear Rings	2	676-7019-208	2	676-7019-208	2	676-7018-208
17	Impeller Wear Rings (Optional)	2	676-7063-208	2	676-7063-208	2	676-7095-208
19	Packing Glands	2	372-7005-104	2	372-7005-104	2	372-7005-104
20	Shaft Seal	2	908-7004-208	2	908-7004-208	2	908-7004-208
102	Impeller Key	1	472-7004-087	1	472-7004-087	1	472-7004-087
126	Water Slingers	2	764-7002-999	2	764-7002-999	2	764-7002-999
157	Casing Gasket	1	364-7009-463	1	364-7009-463	1	364-7008-463
A158	Thrust Bearing Cartridge	1	176-7010-010	1	176-7010-010	1	176-7010-010
B158	Radial Bearing Cartridge	1	176-7011-010	1	176-7011-010	1	176-7011-010
159	Bearing Housing Covers	2	164-7007-010	2	164-7007-010	2	164-7007-010
163	Radial Bearing	1	068-1912-647	1	068-1912-647	1	068-1912-647
166	Shaft Sleeve O-Rings	2	364-0381-457	2	364-0381-457	2	364-0381-457
168	Thrust Bearing	1	068-1912-647	1	068-1912-647	1	068-1912-647
168A	Retaining Ring	1	676-0289-088	1	676-0289-088	1	676-0289-088
212	Packing	10	564-7002-802	10	564-7002-802	10	564-7002-802
213	Sleeve Nuts	2	544-7004-208	2	544-7004-208	2	544-7004-208
272	Coupling Key	1	472-0362-087	1	472-0362-087	1	472-0362-087

MISCELLANEOUS PARTS NOT LABELED

CAPSCREWS FOR:							
	Casing (Parting Flange)	22	168-0640-082	22	168-0640-082	19	168-0680-082
	Shaft Seal	4	168-0652-082	4	168-0652-082	4	168-0688-082
	Bearing Housing Covers	6	168-0308-082	6	168-0308-082	6	168-0308-082
	Bearing Cartridges	6	168-0492-082	6	168-0492-082	6	168-0492-082
PINS FOR:							
	Casing (Parting Flange)	2	592-7000-087	2	592-7000-087	2	592-7000-087
	Case Wear Rings	2	592-7009-087	2	592-7009-087	2	592-7009-087
	Bearing Cartridges	4	592-0111-087	4	592-0111-087	4	592-0111-087
PIPE PLUGS FOR:							
	Suction and Discharge (Gauges)	2	600-0002-087	2	600-0002-087	2	600-0002-087
	Bearing Arm Drains	2	600-0004-028	2	600-0004-028	2	600-0004-028
	Top of Casing Volute	1	600-0004-028	1	600-0004-028	1	600-0004-028
	Side of Discharge Neck	1	600-0006-028	1	600-0006-028	1	600-0006-028
	Bearing Cartridges	2	600-0001-087	2	600-0001-087	2	600-0001-087
GLAND FASTENERS:							
	Studs	4	808-7002-360	4	808-7002-360	4	808-7002-360
	Washers	4	908-0114-080	4	908-0114-080	4	908-0114-080
	Nuts	4	544-0113-190	4	544-0113-190	4	544-0113-190
	Setscrews for Sleeve Nut	4	724-0079-113	4	724-0079-113	4	724-0079-113
	Grease Fittings	2	508-0001-651	2	508-0001-651	2	508-0001-651
FLUSH LINES:							
	Compression Elbows	4	868-3660-190	4	868-3660-190	4	868-3660-190
	Tubing	24	872-0124-175	24	872-0124-175	24	872-0124-175
	Ball Valves	2	896-4533-644	2	896-4533-644	2	896-4533-644

491 REPAIR PARTS LIST

PC. NO.	PART DESCRIPTION	6-491-19A		8-491-14A		8-491-18A	
		QTY	PART NUMBER	QTY	PART NUMBER	QTY	PART NUMBER
1	Impeller	1	444-7022-208	1	444-7019-225	1	444-7020-225
	Impeller Assembly (With #17 Rings)	—	—	1	443-7088-644	—	443-7117-644
2	Part of No. 3	—	—	—	—	—	—
3	Casing Assembly	125# / 125#	189-0029-010	1	189-0024-010	1	189-0026-010
		125# / 250#	189-0030-010	1	189-0025-010	1	189-0027-010
		250# / 250#	189-0051-010	1	189-0045-010	1	189-0049-010
4	Shaft	1	727-7009-072	1	727-7014-072	1	727-7015-072
10	Lantern Rings	2	676-7021-509	2	676-7015-509	2	676-7021-509
14	Shaft Sleeves	2	756-7008-212	2	756-7013-212	2	756-7014-212
16	Case Wear Rings	2	676-7020-208	2	676-7027-208	2	676-7042-208
17	Impeller Wear Rings (Optional)	—	—	2	676-7086-208	2	676-7107-208
19	Packing Glands	2	372-7007-104	2	372-7005-104	2	372-7007-104
20	Shaft	2	908-7005-208	2	908-7004-208	2	908-7005-208
102	Impeller Key	1	472-7007-087	1	472-7004-087	1	472-7007-087
126	Water Slingers	2	764-7004-999	2	764-7002-999	2	764-7004-999
157	Casing Gasket	1	364-7010-463	1	364-7017-463	1	364-7018-463
A158	Thrust Bearing Cartridge	1	176-7014-010	1	176-7010-010	1	176-7014-010
B158	Radial Bearing Cartridge	1	176-7015-010	1	176-7011-010	1	176-7015-010
159	Bearing Housing Covers	2	164-7009-010	2	164-7007-010	2	164-7009-010
163	Radial Bearing	1	068-1914-647	1	068-1912-647	1	068-1914-647
166	Shaft Sleeve O-Rings	2	364-0388-457	2	364-0381-457	2	364-0388-457
168	Thrust Bearing	1	068-1914-647	1	068-1912-647	1	068-1914-647
168A	Retaining Ring	1	676-0295-088	1	676-0289-088	1	676-0295-088
212	Packing	10	564-7003-802	10	564-7002-802	10	564-7003-802
213	Sleeve Nuts	2	544-7006-208	2	544-7004-208	2	544-7006-208
272	Coupling Key	1	472-0390-087	1	472-0362-087	1	472-0390-087

MISCELLANEOUS PARTS NOT LABELED

CAPSCREWS FOR:							
Casing (Parting Flange)	23	168-0680-082	22	168-0680-082	26	168-0680-082	
Shaft	4	168-0690-082	4	168-0688-082	4	168-0690-082	
Bearing Housing Covers	6	168-0308-082	6	168-0308-082	6	168-0308-082	
Bearing Cartridges	6	168-0492-082	6	168-0492-082	6	168-0492-082	
PINS FOR:							
Casing (Parting Flange)	2	592-7000-087	2	592-7000-087	2	592-7000-087	
Case Wear Rings	2	592-7009-087	2	592-7009-087	2	592-7009-087	
Bearing Cartridges	4	592-0111-087	4	592-0111-087	4	592-0111-087	
PIPE PLUGS FOR:							
Suction and Discharge (Gauges)	2	600-0002-087	2	600-0002-087	2	600-0002-087	
Bearing Arm Drains	2	600-0004-028	2	600-0004-028	2	600-0004-028	
Top of Casing Volute	1	600-0004-028	1	600-0004-028	1	600-0004-028	
Side of Discharge Neck	1	600-0006-028	1	600-0006-028	1	600-0006-028	
Bearing Cartridges	2	600-0001-087	2	600-0001-087	2	600-0001-087	
GLAND FASTENERS:							
Studs	4	808-7002-360	4	808-7002-360	4	808-7002-360	
Washers	4	908-0114-080	4	908-0114-080	4	908-0114-080	
Nuts	4	544-0113-190	4	544-0113-190	4	544-0113-190	
Setscrews for Sleeve Nut	4	724-0079-113	4	724-0077-104	4	724-0079-104	
Grease Fittings	2	508-0001-651	2	508-0001-651	2	508-0001-651	
FLUSH LINES:							
Compression Elbows	4	868-3660-190	4	868-3660-190	4	868-3660-190	
Tubing	24	872-0124-175	24	872-0124-175	24	872-0124-175	
Ball Valves	2	896-4533-644	2	896-4533-644	2	896-4533-644	

491 REPAIR PARTS LIST

PC. NO.	PART DESCRIPTION	10-491-20	
		QTY	PART NUMBER
1	Impeller	1	444-7032-208
	Impeller Assembly (With #17 Rings)	—	—
2	Part of No. 3	—	—
3	Casing Assembly	125# / 125#	—
		125# / 250#	1
		250# / 250#	—
4	Shaft	1	727-7016-072
10	Lantern Rings	2	676-7021-509
14	Shaft Sleeves	2	756-7015-212
16	Case Wear Rings	2	676-7029-208
17	Impeller Wear Rings (Optional)	—	—
19	Packing Glands	2	372-7007-104
20	Ş Ç é	2	908-7005-208
102	Impeller Key	1	472-7032-104
126	Water Slingers	2	764-7004-999
157	Casing Gasket	1	364-7020-463
A158	Thrust Bearing Cartridge	1	176-7014-010
B158	Radial Bearing Cartridge	1	176-7020-010
159	Bearing Housing Covers	2	164-7009-010
163	Radial Bearing	1	068-1915-647
166	Shaft Sleeve O-Rings	2	364-0388-457
168	Thrust Bearing	1	068-1914-647
168A	Retaining Ring	1	676-0295-088
212	Packing	10	564-7003-802
213	Sleeve Nuts	2	544-7006-208
272	Coupling Key	1	472-0394-087

MISCELLANEOUS PARTS NOT LABELED

CAPSCREWS FOR:		
Casing (Parting Flange)	26	168-0640-082
Ş Ç é	4	168-0564-082
Bearing Housing Covers	6	168-0308-082
Bearing Cartridges	6	168-0492-082
PINS FOR:		
Casing (Parting Flange)	2	592-0376-087
Case Wear Rings	2	592-7009-087
Bearing Cartridges	4	592-0111-087
PIPE PLUGS FOR:		
Suction and Discharge (Gauges)	2	600-0002-087
Bearing Arm Drains	2	600-0004-028
Top of Casing Volute	1	600-0004-028
Side of Discharge Neck	1	600-0006-028
Bearing Cartridges	2	600-0001-087
GLAND FASTENERS:		
Studs	4	808-7002-360
Washers	4	908-0114-080
Nuts	4	544-0113-190
Setscrews for Sleeve Nut	4	724-0079-113
Grease Fittings	2	508-0001-651
FLUSH LINES:		
Compression Elbows	4	868-3660-190
Tubing	24	872-0124-175
Ball Valves	2	896-4533-644

492 REPAIR PARTS LIST

PC.NO.	PART DESCRIPTION	3-492-10A		4-492-14		4-492-18	
		QTY	PART NUMBER	QTY	PART NUMBER	QTY	PART NUMBER
1	Impeller	—	—	1	444-7003-225	1	444-7026-225
	Impeller Assembly (With #17 Rings)	1	443-7025-644	1	443-7105-644	1	443-7106-644
2	Part of No. 3	—	—	—	—	—	—
3	Casing Assembly	125# / 125#	189-0031-010	1	189-0003-010	1	189-0004-010
		125# / 250#	189-0032-010	—	—	—	—
		250# / 250#	—	—	—	—	—
4	Shaft	1	727-7002-072	1	727-7001-072	1	727-7001-072
6	Part of No. 3	—	—	—	—	—	—
10	Lantern Rings	2	676-7003-509	2	676-7005-509	2	676-7005-509
14	Shaft Sleeves	2	756-7027-212	2	756-7001-212	2	756-7001-212
16	Case Wear Rings	2	676-7004-208	2	676-7002-208	2	676-7002-208
17	Impeller Wear Rings (Optional)	2	676-7008-208	2	676-7043-208	2	676-7043-208
19	Packing Glands	2	372-7002-104	2	372-7001-104	2	372-7001-104
20	Shaft Key	2	908-7002-208	2	908-7001-208	2	908-7001-208
102	Impeller Key	1	472-7002-087	1	472-7001-087	1	472-7001-087
126	Water Slings	—	—	—	—	—	—
157	Casing Gasket	1	364-7002-463	1	364-7001-463	1	364-7004-463
158A	Grease Seal	1	712-7000-653	1	712-7002-653	1	712-7002-653
158B	Dowel Pin	—	—	2	592-0857-087	2	592-0858-087
A158	Thrust Bearing Cartridge	1	176-7000-010	1	176-7008-010	1	176-7008-010
B158	Radial Bearing Cartridge	1	176-7001-010	1	176-7009-010	1	176-7009-010
159	Bearing Housing Covers	2	164-7001-010	2	164-7006-010	2	164-7006-010
159A	Grease Seal	2	712-7001-653	2	712-7003-653	2	712-7003-653
161	Bearing Locknut	1	544-0707-080	1	544-0708-080	1	544-0708-080
162	Bearing Lockwasher	1	908-0407-080	1	908-0408-080	1	908-0408-080
163	Radial Bearing	1	068-0157-647	1	068-0158-647	1	068-0158-647
166	Shaft Sleeve O-Rings	2	364-0423-457	—	—	2	364-0426-457
168	Thrust Bearing	1	068-0157-647	1	068-0158-647	1	068-0158-647
168A	Retaining Ring	1	676-7007-088	1	676-7013-088	1	676-7013-088
212	Packing	10	564-0105-802	10	564-0110-802	10	564-0110-802
213	Sleeve Nuts	2	544-7000-208	2	544-7003-208	2	544-7003-208
272	Coupling Key	1	472-0259-087	1	472-0256-087	1	472-0256-087
345	Bearing Snap Ring	—	—	—	—	—	—

492 REPAIR PARTS LIST

PART DESCRIPTION	3-492-10A		4-492-14		4-492-18	
	QTY	PART NUMBER	QTY	PART NUMBER	QTY	PART NUMBER
MISCELLANEOUS PARTS NOT LABELED						
CAPSCREWS FOR:						
Casing (Parting Flange)	23	168-0680-082	22	168-0680-082	26	168-0680-082
Casing (Parting Flange)	4	168-0690-082	4	168-0688-082	4	168-0690-082
Bearing Housing Covers	6	168-0308-082	6	168-0308-082	6	168-0308-082
Bearing Cartridges	6	168-0492-082	6	168-0492-082	6	168-0492-082
PINS FOR:						
Casing (Parting Flange)	2	592-7000-087	2	592-7000-087	2	592-7000-087
Case Wear Rings	2	592-7009-087	2	592-7009-087	2	592-7009-087
Bearing Cartridges	4	592-0111-087	4	592-0111-087	4	592-0111-087
PIPE PLUGS FOR:						
Suction and Discharge (Gauges)	2	600-0002-087	2	600-0002-087	2	600-0002-087
Bearing Arm Drains	2	600-0004-028	2	600-0004-028	2	600-0004-028
Top of Casing Volute	1	600-0004-028	1	600-0004-028	1	600-0004-028
Side of Discharge Neck	1	600-0006-028	1	600-0006-028	1	600-0006-028
Bearing Cartridges	2	600-0001-087	2	600-0001-087	2	600-0001-087
GLAND FASTENERS:						
Studs	4	808-7002-360	4	808-7002-360	4	808-7002-360
Washers	4	908-0114-080	4	908-0114-080	4	908-0114-080
Nuts	4	544-0113-190	4	544-0113-190	4	544-0113-190
Setscrews for Sleeve Nut	4	724-0079-113	4	724-0077-104	4	724-0079-113
Grease Fittings	2	508-0001-651	2	508-0001-651	2	508-0001-651
FLUSH LINES:						
Compression Elbows	4	868-3660-190	4	868-3660-190	4	868-3660-190
Tubing	24	872-0124-175	24	872-0124-175	24	872-0124-175
Ball Valves	2	896-4533-644	2	896-4533-644	2	896-4533-644

PART DESCRIPTION	3-492-10A		4-492-14		4-492-18	
	QTY	PART NUMBER	QTY	PART NUMBER	QTY	PART NUMBER
GLAND FASTENERS:						
Swingbolts or Studs	4	100-7001-360	4	100-7001-360	4	100-7001-360
Washers	4	908-0114-080	4	908-0114-080	4	908-0114-080
Nuts	4	544-0113-190	4	544-0113-190	4	544-0113-190
Setscrews for Sleeve Nut	—	—	—	—	—	—
Grease Fittings	2	508-0001-651	2	508-0001-651	2	508-0001-651
Bearing Cover O-Rings	2	—	2	364-0426-457	—	—
Bearing Spacer	1	—	1	772-7000-063	1	772-7000-063
Lifting Eyebolt	—	—	—	—	—	—
FLUSH LINES:						
Compression Elbows	4	868-3660-190	4	868-3660-190	4	868-3660-190
Tubing	24	872-0124-175	24	872-0124-175	24	872-0124-175
Ball Valves	2	896-4533-644	2	896-4533-644	2	896-4533-644

492 REPAIR PARTS LIST

PC.NO.	PART DESCRIPTION	5-492-10		6-492-10		6-492-15		
		QTY	PART NUMBER	QTY	PART NUMBER	QTY	PART NUMBER	
1	Impeller	1	444-7027-225	1	444-7011-225	1	444-7010-225	
	Impeller Assembly (With #17 Rings)	—	—	—	—	—	—	
2	Part of No. 3	—	—	—	—	—	—	
3	Casing Assembly	125# / 125#	1	189-0033-010	1	189-0016-010	1	189-0015-010
		125# / 250#	1	189-0034-010	1	189-0017-010	—	—
		250# / 250#	—	—	1	189-0064-010	—	—
4	Shaft	1	727-7007-072	1	727-7011-072	1	727-7010-072	
6	Part of No. 3	—	—	—	—	—	—	
10	Lantern Rings	2	676-7010-509	2	676-7010-509	2	676-7010-509	
14	Shaft Sleeves	2	756-7006-212	2	756-7006-212	2	756-7009-212	
16	Case Wear Rings	2	676-7016-208	2	676-7024-208	2	676-7022-208	
17	Impeller Wear Rings (Optional)	—	—	—	—	2	676-7013-208	
19	Packing Glands	—	372-7006-104	—	372-7006-104	2	372-7006-104	
20	S	—	—	—	—	2	908-7006-208	
102	Impeller Key	1	472-7006-087	1	472-7006-087	1	472-7008-087	
126	Water Slingers	2	764-7003-478	2	764-7003-478	—	—	
157	Casing Gasket	1	364-7006-463	1	364-7012-463	1	364-7030-463	
158A	Grease Seal	—	—	—	—	1	712-7004-653	
A158	Thrust Bearing Cartridge	1	176-7012-010	1	176-7012-010	1	176-7016-010	
B158	Radial Bearing Cartridge	1	176-7013-010	1	176-7013-010	1	176-7017-010	
159	Bearing Housing Covers	2	164-7008-010	2	164-7008-010	2	164-7011-010	
159A	Grease Seal	—	—	—	—	2	712-7005-653	
161	Bearing Locknut	—	—	—	—	1	544-0710-080	
162	Bearing Lockwasher	—	—	—	—	1	908-0410-080	
163	Radial Bearing	1	068-0160-647	1	068-0160-647	1	068-0160-647	
168	Thrust Bearing	1	068-0160-647	1	068-0160-647	1	068-0160-647	
168A	Retaining Ring	2	676-7017-088	2	676-7017-088	—	—	
212	Packing	12	564-7001-802	12	564-7001-802	10	564-7001-802	
213	Sleeve Nuts	2	544-7005-208	2	544-7005-208	2	544-7005-208	
272	Coupling Key	1	472-7005-087	1	472-7005-087	1	472-7005-087	
345	Bearing Snap Ring	1	676-7023-088	1	676-7023-088	1	676-7023-088	

492 REPAIR PARTS LIST

PART DESCRIPTION	5-492-10		6-492-10		6-492-15	
	QTY	PART NUMBER	QTY	PART NUMBER	QTY	PART NUMBER
MISCELLANEOUS PARTS NOT LABELED						
CAPSCREWS FOR:						
Casing (Parting Flange)	17	168-0363-082	21	168-0366-082	15	168-0636-082
Casing (Parting Flange)	4	168-0562-082	4	168-0562-082	4	168-0640-082
Bearing Cap (No. 6)	—	—	—	—	4	168-0578-082
Bearing Housing Covers	8	168-0308-082	8	168-0308-082	8	168-0304-082
Bearing Cartridge to Bearing Arms	8	168-0490-082	8	168-0490-082	—	—
PINS FOR:						
Casing (Parting Flange)	2	592-0376-087	2	592-0376-087	2	592-0028-104
Case Wear Rings	2	592-0376-104	2	592-0028-104	2	592-7009-087
Bearing Cartridges	4	592-0111-087	4	592-0111-087	4	592-7005-087
PIPE PLUGS FOR:						
Suction and Discharge (Gauges)	2	600-0002-087	2	600-0002-087	2	600-0002-087
Bearing Arm Drains	2	600-0004-028	2	600-0004-028	2	600-0004-028
Top of Casing Volute	1	600-0004-028	1	600-0004-028	1	600-0006-028
Bottom of Necks	2	600-0004-028	2	600-0004-028	2	600-0004-028
Side of Discharge Neck	1	600-0006-028	1	600-0006-028	1	600-0006-028
Bearing Cartridges	2	600-0001-087	2	600-0001-087	—	—

PART DESCRIPTION	5-492-10		6-492-10		6-492-15	
	QTY	PART NUMBER	QTY	PART NUMBER	QTY	PART NUMBER
GLAND FASTENERS:						
Swingbolts or Studs	4	808-7002-360	4	808-7002-360	4	100-7001-360
Washers	4	908-0114-080	4	908-0114-080	4	908-0114-080
Nuts	4	544-0113-190	4	544-0113-190	4	544-0113-190
Setscrews for Sleeve Nut	4	724-0079-113	—	—	—	—
Grease Fittings	2	508-0001-651	2	508-0001-651	2	508-0001-651
Bearing Cover O-Rings	—	—	—	—	2	364-0432-457
Bearing Spacer	2	100-0104-080	2	100-0104-080	—	—
Lifting Eyebolt	—	—	—	—	—	—
FLUSH LINES:						
Compression Elbows	4	868-3660-190	4	868-3660-190	4	868-3660-190
Tubing	24	872-0124-175	24	872-0124-175	24	872-0124-175
Ball Valves	2	896-4533-644	2	896-4533-644	2	896-4533-644

492 REPAIR PARTS LIST

PC.NO.	PART DESCRIPTION	6-492-18		10-492-18		
		QTY	PART NUMBER	QTY	PART NUMBER	
1	Impeller	1	444-7033-225	1	444-7021-208	
	Impeller Assembly (With #17 Rings)	1	443-7080-644	1	443-7097-644	
2	Part of No. 3	—	—	—	—	
3	Casing Assembly	125# / 125#	1	189-0038-010	1	189-0028-010
		125# / 250#	—	—	1	189-0120-010
		250# / 250#	—	—	1	189-0121-010
4	Shaft	1	727-7010-072	1	727-7017-072	
6	Part of No. 3	—	—	—	—	
10	Lantern Rings	2	676-7010-509	2	676-7030-509	
14	Shaft Sleeves	2	756-7009-212	2	756-7016-212	
16	Case Wear Rings	2	676-7022-208	2	676-7031-208	
17	Impeller Wear Rings (Optional)	2	676-7034-208	2	676-7075-208	
19	Packing Glands		372-7006-104	2	372-7009-104	
20	Shaft Seal	2	908-7006-208	2	136-7002-208	
102	Impeller Key	1	472-7008-087	1	472-7012-087	
126	Water Slingers	—	—	—	—	
157	Casing Gasket	1	364-7013-463	1	364-7021-463	
158A	Grease Seal	1	712-7004-653	1	712-7005-653	
A158	Thrust Bearing Cartridge	1	176-7016-010	1	176-7021-010	
B158	Radial Bearing Cartridge	1	176-7017-010	1	176-7022-010	
159	Bearing Housing Covers	2	164-7011-010	2	164-7017-010	
159A	Grease Seal	2	712-7005-653	2	712-7006-653	
161	Bearing Locknut	1	544-0710-080	1	544-0712-080	
162	Bearing Lockwasher	1	908-0410-080	1	908-0412-080	
163	Radial Bearing	1	068-0160-647	1	068-0162-647	
168	Thrust Bearing	1	068-0160-647	1	068-0162-647	
212	Packing	10	564-7001-802	12	564-0181-802	
213	Sleeve Nuts	2	544-7005-208	2	544-7007-208	
272	Coupling Key	1	472-7005-087	1	472-7013-087	
345	Bearing Snap Ring	1	676-7023-088	1	676-7023-088	

492 REPAIR PARTS LIST

PART DESCRIPTION	6-492-18		10-492-18	
	QTY	PART NUMBER	QTY	PART NUMBER
MISCELLANEOUS PARTS NOT LABELED				
CAPSCREWS FOR:				
Casing (Parting Flange)	16	168-0674-082	18	168-0636-082
Casing (Parting Flange)	4	168-0674-082	4	168-0640-082
Bearing Cap (No. 6)	4	168-0578-082	4	168-0578-082
Bearing Housing Covers	8	168-0304-082	8	168-0304-082
Bearing Cartridge to Bearing Arms	—	—	—	—
PINS FOR:				
Casing (Parting Flange)	2	592-7002-087	2	592-7007-087
Case Wear Rings	2	592-7009-087	2	592-7002-087
Bearing Cartridges	2	592-0376-087	—	—
PIPE PLUGS FOR:				
Suction and Discharge (Gauges)	2	600-0002-087	2	600-0002-087
Bearing Arm Drains	2	600-0004-028	2	600-0004-028
Top of Casing Volute	1	600-0005-028	1	600-0005-028
Bottom of Necks	1	600-0004-028	1	600-0006-028
Side of Discharge Neck	2	600-0006-028	1	600-0006-028
End of Thrust Bearing Cartridge	—	—	—	—
Bearing Cartridges	2	600-0006-087	—	—

PART DESCRIPTION	6-492-18		10-492-18	
	QTY	PART NUMBER	QTY	PART NUMBER
GLAND FASTENERS:				
Swingbolts or Studs	4	100-7001-360	4	100-7002-360
Washers	4	908-0114-080	4	908-0116-080
Nuts	4	544-0113-190	4	544-0115-190
Gland Clip	—	—	4	204-7001-104
Gland Ring	—	—	—	—
Spacer Sleeve	—	—	2	772-7003-212
Setscrews for Shaft Sleeve Nut	—	—	4	724-0643-113
Grease Fittings	2	508-0001-651	2	508-0001-651
Bearing Cover O-Rings	2	364-0432-457	2	364-0438-457
Lifting Eyebolt	—	—	2	100-0110-080
FLUSH LINES:				
Compression Elbows	4	868-3660-190	4	868-3660-190
Tubing	24	872-0124-175	24	872-0124-175
Ball Valves	2	896-4533-644	2	896-4533-644

495 REPAIR PARTS LIST

PC.NO.	PART DESCRIPTION	5-495-15		6-495-17	
		QTY	PART NUMBER	QTY	PART NUMBER
213	Sleeve Nuts	—	—	—	—
	Right-Hand	1	544-7008-208	—	—
	Left-Hand	1	544-7009-208	—	—
272	Coupling Key	1	472-7015-087	1	472-7009-087
	Casing Diaphragm Assembly	1	772-7004-644	1	772-7002-644
	Casing Diaphragm	1	772-7004-010	1	772-7002-010
	Casing Diaphragm Bushing	1	136-7003-208	1	136-7001-208
	Setscrew	1	724-0081-104	1	724-0079-104
MISCELLANEOUS PARTS NOT LABELED					
	Impeller Hub Gasket	1	364-7026-463	1	364-7016-463
	Sleeve Gasket	2	364-7025-463	2	364-7015-463
	Bearing Spacer	—	—	2	772-7001-063
	Bearing Lock Collar	—	—	2	224-7000-208
CAPSCREWS FOR:					
	Casing (Parting Flange)	16	168-0825-082	26	168-0753-082
	Studs	2	808-7003-080	—	—
	Nuts	2	544-0123-082	—	—
	Bearing Cap (No. 6)	4	168-0680-082	4	168-0684-082
	Bearing Cap (No. 6)	4	168-0578-082	4	168-0755-082
	Bearing Housing Covers	8	168-0322-082	8	168-0382-082
PINS FOR:					
	Casing (Parting Flange)	2	592-7008-087	2	592-7004-087
	Case Wear Rings	2	592-0028-087	2	592-7002-087
PIPE PLUGS FOR:					
	Top of Stages	2	600-0005-028	—	—
	Bearing Arm Drains	2	600-0004-028	2	600-0004-028
	Top of Casing Volute	1	600-0004-028	1	600-0005-028
	Top of Discharge Neck	1	600-0004-028	—	—
	Side of Discharge Neck	2	600-0006-028	1	600-0006-028
	Bottom of Discharge Neck	—	—	2	600-0002-087
	Shoulder	1	600-0004-028	1	600-0004-028
GLAND FASTENERS:					
	Swingbolts or Studs	4	100-7002-360	4	100-7002-360
	Washers	4	908-0116-080	4	908-0116-080
	Nuts	4	544-0115-190	4	544-0115-190
	Grease Fittings	2	508-0001-651	2	508-0001-651
	Lifting Eyebolt	1	100-0107-080	1	100-0107-080
CASING DRAIN PIPING:					
	Nipple	1	600-1310-387	1	600-1310-387
	Elbow	1	600-0231-387	1	600-0231-387
	Nipple	1	600-1328-387	1	600-1328-387
	Pipe Cap	1	600-0156-387	1	600-0156-387
FLUSH LINE:					
	Compression Elbows	2	868-3660-190	2	868-3660-190
	Tubing	12	872-0124-175	12	872-0124-175
	Ball Valve	1	896-4533-644	1	896-4533-644
	Hinged Oil Hole Cover	—	—	—	—
	Oil Ring Arm Retainer	—	—	—	—

REPAIR KITS, OVERHAUL KITS & ROTATING ELEMENTS

MODEL	PUMP SIZE	REPAIR KIT	OVERHAUL KIT	ROTATING ELEMENT	
491 [1]	3-491-9A	476-0946-644	476-0974-644	700-0708-644	
	3-491-9C			700-0709-644	
	4-491-8A	476-0947-644	476-0975-644	700-0710-644	
	4-491-11A	476-0948-644	476-0976-644	700-0711-644	
	4-491-11C			700-0712-644	
	4-491-14C	476-0949-644	476-0977-644	700-0713-644	
	5-491-14A	476-0950-644	476-0978-644	700-0714-644	
	5-491-18A	476-0951-644	476-0979-644	700-0715-644	
	6-491-12A	476-0952-644	476-0980-644	700-0716-644	
	6-491-12B	476-0952-644	476-0980-644	700-0951-483	
	6-491-14A	476-0953-644	476-0981-644	700-0717-644	
	6-491-14C			700-0718-644	
	6-491-18C	476-0954-644	476-0982-644	700-0719-644	
	6-491-19A	476-0955-644	476-0983-644	700-0720-644	
	8-491-14A	476-0956-644	476-0984-644	700-0721-644	
	8-491-18A	476-0957-644	476-0985-644	700-0722-644	
	10-491-20	476-0958-644	476-0986-644	700-0723-644	
	492 [2,3]	3-492-10A		476-0921-644	700-0707-644
		4-492-14	476-0959-644	476-0987-644	700-0724-644
4-492-18		476-0960-644	476-0988-644	700-0725-644	
5-492-10		476-0961-644	476-0989-644	700-0726-644	
6-492-10		476-0963-644	476-0991-644	700-0729-644	
6-492-15		476-0964-644	476-0992-644	700-0730-644	
6-492-18		476-0965-644	476-0993-644	700-0731-644	
10-492-18		476-0969-644	476-0997-644	700-0736-644	
495 [4]	(RH only)	476-0970-644	476-0998-644	700-0737-644	
	(LH only)			700-0738-644	
	6-495-17 (RH only)	476-0971-644	476-0999-644	700-0739-644	
	6-495-17 (LH only)			700-0740-644	

**REPAIR KITS TYPICALLY
INCLUDE:**

**OVERHAUL KITS TYPICALLY
INCLUDE:**

STANDARD LIMITED WARRANTY

Seller warrants equipment (and its component parts) of its own manufacture against defects in materials and workmanship under normal use and service for one (1) year from the date of installation or start-up, or for eighteen (18) months after the date of shipment, whichever occurs first. Seller does not warrant accessories or components that are not manufactured by Seller; however, to the Buyer must give Seller notice in writing of any alleged defect covered by this warranty (together with all identifying details, including the serial number, the type of equipment, and the date of purchase) within thirty (30) days of the discovery of such defect of performance and warranties are based on the use of original equipment manufactured (OEM) replacement parts. Seller assumes no responsibility or liability if alterations, non-authorized design modifications and/or non-OEM replacement parts are incorporated. If requested by Seller, any equipment (or its component parts) must be promptly returned to Seller prior to any attempted repair, for any loss or damage to goods in transit, nor will any warranty claim be valid unless the returned goods are received intact and Seller will not give Buyer credit for parts or equipment returned to Seller, and will not accept delivery of any such parts or equipment for ninety (90) days or for the remainder of the original warranty period applicable to the equipment or parts being repaired or replaced, of the product being repaired. Repair parts of its own manufacture sold after the original warranty period are warranted for a period of one (1) year from shipment against defects in materials and workmanship under normal use and service. This warranty applies substitute new equipment or improve part(s) of any equipment judged defective without further liability. All repairs or services

THIS WARRANTY IS THE SOLE WARRANTY OF SELLER AND SELLER HEREBY EXPRESSLY DISCLAIMS AND BUYER WAIVES ALL OTHER WARRANTIES EXPRESSED, IMPLIED IN LAW OR IMPLIED IN FACT, INCLUDING ANY WARRANTIES OF MERCHANTABILITY OR FITNESS FOR A PARTICULAR PURPOSE. Seller shall not be liable for (a) consequential, collateral, special or liquidated losses or damages; (b) equipment conditions caused by normal wear and tear, abnormal conditions of use, accident, neglect, the Seller; (d) damage caused by abrasive materials, chemicals, scale deposits, corrosion, lightning, improper voltage, mishandling, equipment; (f) any labor costs or charges incurred in repairing or replacing defective equipment or parts, including the cost of

The above warranty shall not apply to any equipment which may be separately covered by any alternate or special warranties.

PERFORMANCE: In the absence of Certified Pump Performance Tests, equipment performance is not warranted or guaranteed. procedures.

LIABILITY LIMITATIONS: Under no circumstances shall the Seller have any liability under the Order or otherwise for liquidated damages or for collateral, consequential or special damages or for loss of profits, or for actual losses or for loss of production

ACTS OF GOD: Seller shall in no event be liable for delays in delivery of the equipment or other failures to perform caused by fires, acts of God, strikes, labor difficulties, acts of governmental or military authorities, delays in transportation or procuring materials,

COMPLIANCE WITH LAW: Seller agrees to comply with all United States laws and regulations applicable to the manufacturing of the subject equipment. Such compliance shall include: The Fair Labor Standards Acts of 1938, as amended; Equal Employment k promulgated thereunder, if applicable. Since compliance with the various Federal, State, and Local laws and regulations concerning occupational health and safety, pollution or local codes are affected by the use, installation and operation of the equipment and other matters over which Seller has no control, Seller assumes no responsibility for compliance with those laws and regulations, whether by way of indemnity, warranty, or otherwise. It is incumbent upon the Buyer to specify equipment which complies with local codes and ordinances.



800 Airport Road | North Aurora, IL 60542 | PH: 630.859.7000 | pentair.com/aurora

All indicated Pentair trademarks and logos are property of Pentair. Third party registered and unregistered trademarks and logos are the property of their respective owners.

©2023 Pentair. All Rights Reserved.

AF-03-326 (12-20-23)