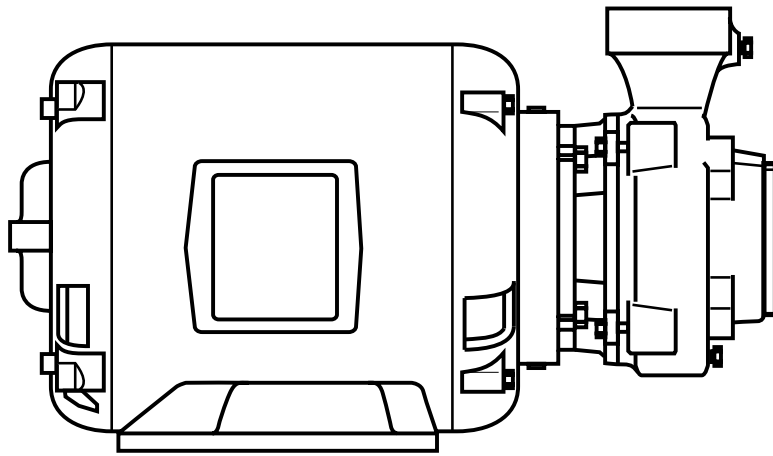


# 320A SERIES REPAIR PARTS INDEX



... PUMP AND MOTOR  
... NG TO INSTALL,  
... THE PUMP



SECTION 320P PAGE 3  
DATED **FEBRUARY 1999**  
SUPERSEDES 320P PAGE 3  
DATED JUNE 1998

SECTION 320P PAGE 4  
DATED **FEBRUARY 1999**  
SUPERSEDES 320P PAGE 4  
DATED JUNE 1998



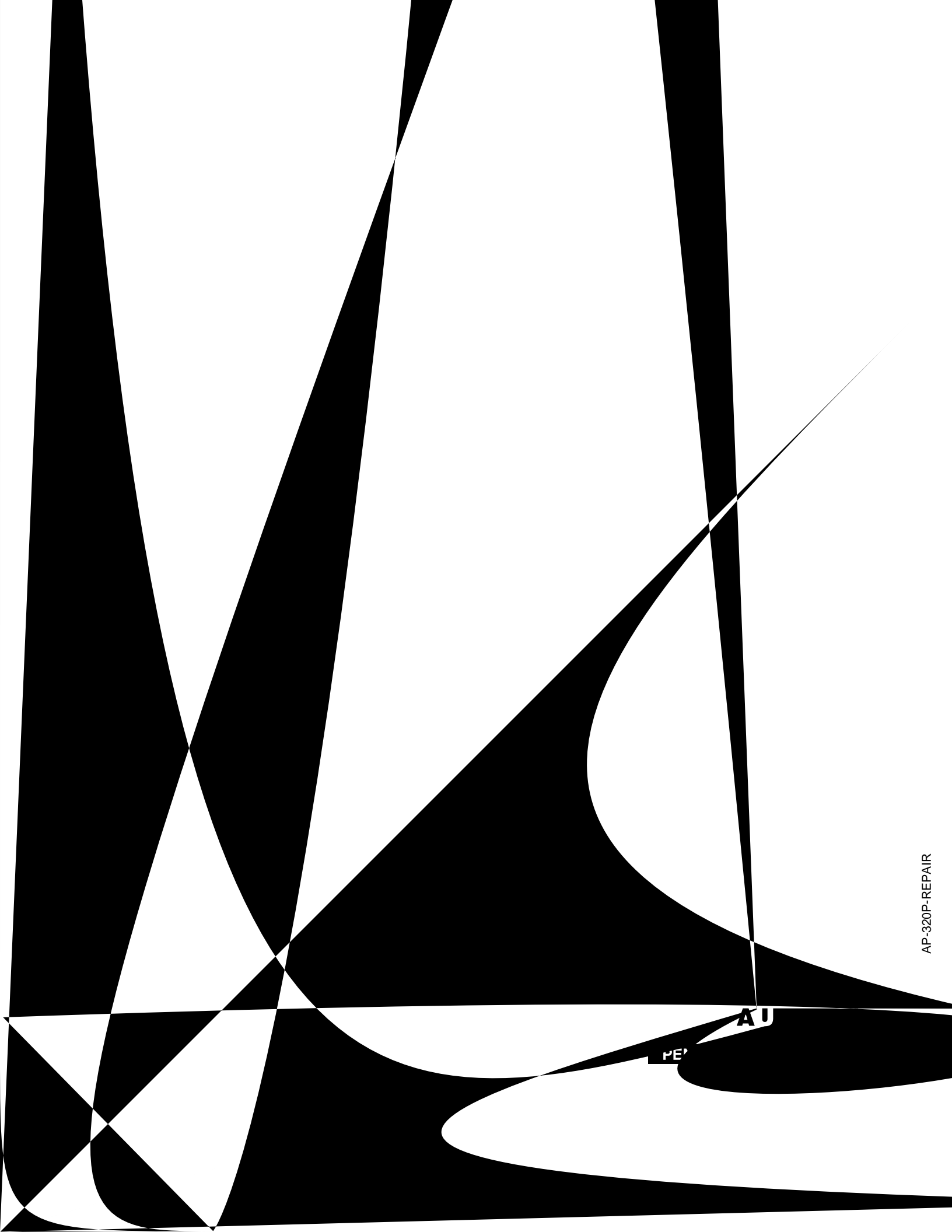




**320 SE'**  
**MODELS 32'**  
**4" - 5" -**

**PA'**

**SECTION 320P PAGE 7**  
**DATED FEBRUARY 1999**  
**SUPERSEDES 320P PAGE 7**  
**DATED JUNE 1998**



PE AU